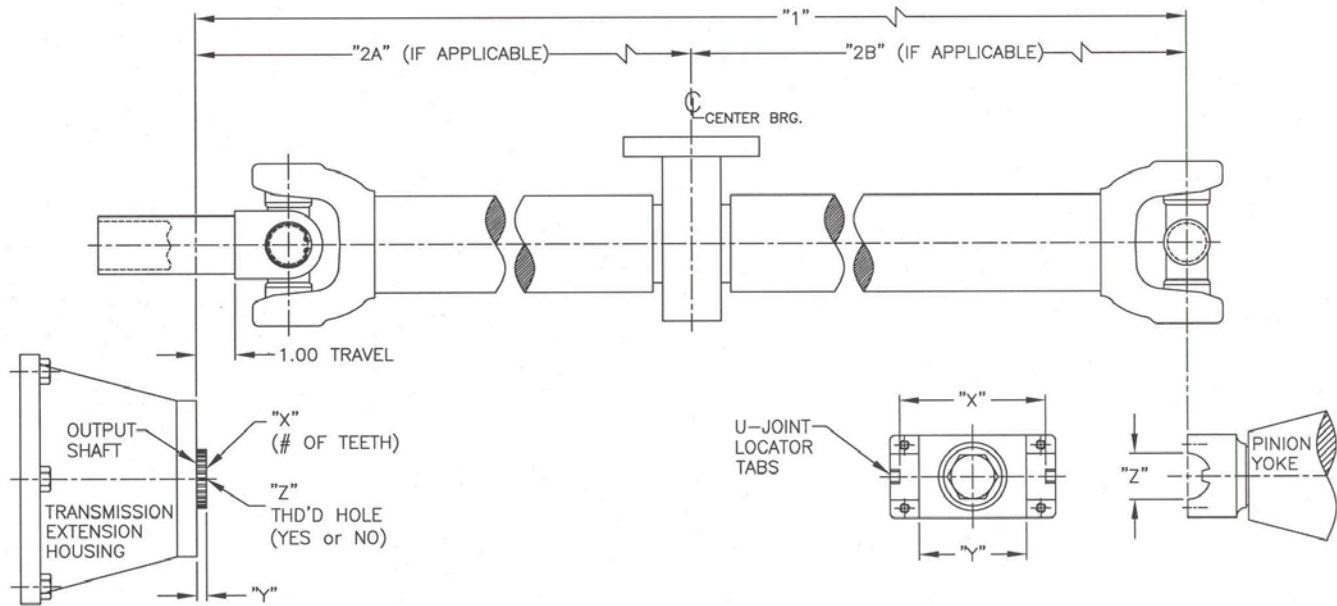




1080 N. Crooks Rd.  
 Clawson, Michigan 48017  
 Telephone (248) 362-2777  
 Fax (248) 362-3886  
 www.dynotechengineering.com



## Take Measurements With Vehicle At Ride Height

#1 TRANS. TO DIFFERENTIAL DISTANCE \_\_\_\_\_

#2 FRONT SHAFT LENGTH (A) \_\_\_\_\_ REAR SHAFT LENGTH (B) \_\_\_\_\_

#3 TRANSMISSION SIDE      X.) \_\_\_\_\_  
    Y.) \_\_\_\_\_  
    Z.) \_\_\_\_\_

#4 DIFFERENTIAL SIDE      X.) \_\_\_\_\_  
    Y.) \_\_\_\_\_  
    Z.) \_\_\_\_\_

#5 CENTER BEARING MOUNTING HOLE(S) CENTERLINE TO CENTERLINE \_\_\_\_\_

#6 CHECK THE SHAFT MATERIAL YOU WISH TO PURCHASE.      TUBE DIAMETER \_\_\_\_\_  
 DOM Steel (Stock & Racing)       Seam Tube Steel (OEM Replacement)

#7 WHAT TYPE OF TRANSMISSION ARE YOU USING? \_\_\_\_\_

#8 NAME \_\_\_\_\_ CAR TYPE \_\_\_\_\_ YR \_\_\_\_\_

ADDRESS \_\_\_\_\_ CITY \_\_\_\_\_ STATE \_\_\_\_\_ ZIP \_\_\_\_\_

PHONE NUMBER. \_\_\_\_\_ PAYMENT METHOD \_\_\_\_\_

**IF YOU HAVE ANY QUESTIONS PLEASE CALL 1-800-633-5559**