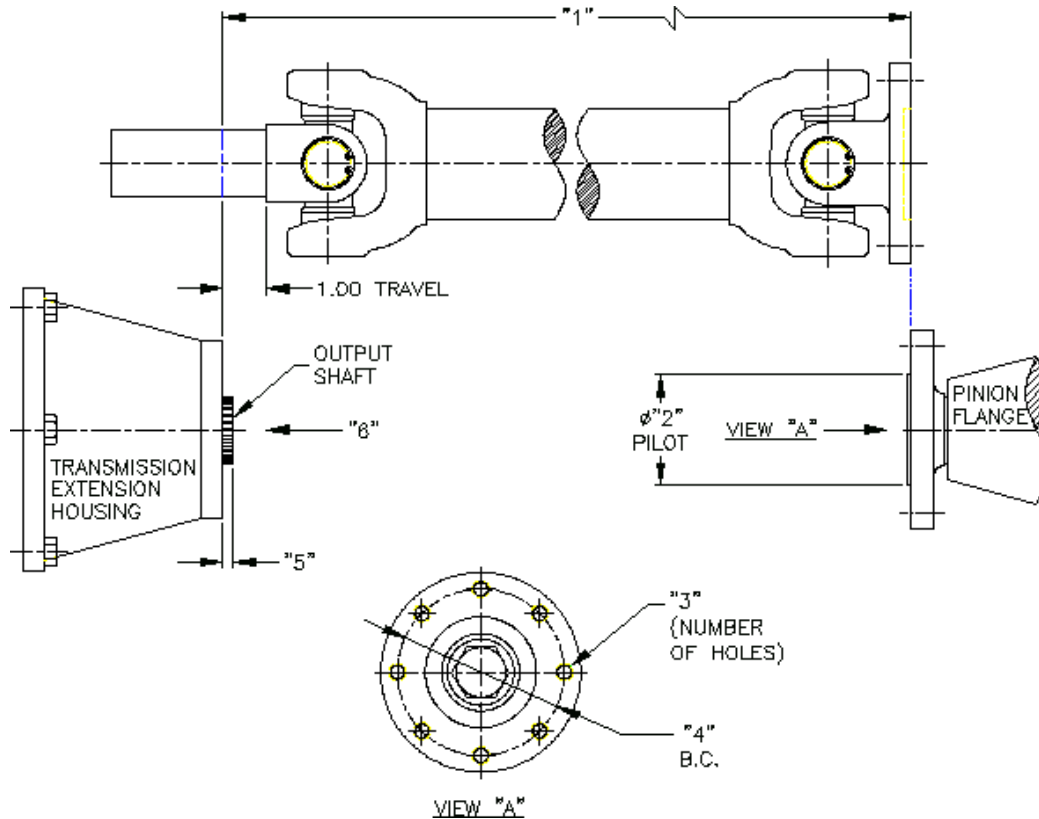




1731 Thorncroft
 Troy, Michigan 48084-5302
 Telephone (248) 362-2777
 Fax (248) 362-3886
 www.dynotechengineering.com



TAKE MEASUREMENTS WITH VEHICLE AT RIDE HEIGHT

- #1 EXTENSION HOUSING TO PINION FLANGE DISTANCE _____
- #2 PINION FLANGE PILOT DIAMETER _____
- #3 PINION FLANGE BOLT HOLES _____
- #4 PINION FLANGE BOLT HOLE CIRCLE DIAMETER _____
- #5 DISTANCE BETWEEN END OF OUTPUT SHAFT AND EXTENSION HOUSING _____
- #6 DOES THE OUTPUT SHAFT HAVE A THREADED HOLE IN THE END? YES NO
- #7 COUNT THE NUMBER OF SPLINES ON THE TRANS OUTPUT SHAFT. _____
- #8 CHECK THE SHAFT MATERIAL YOU WISH TO PURCHASE.
 - DOM Steel (Stock & Racing) Seam Tube Steel (OEM Replacement)
 - 6061 T-6 ALUMINUM (Street Rod) Other _____ Diameter: _____
- #9 WHAT TYPE OF TRANSMISSION ARE YOU USING? _____
- #10 NAME _____
- ADDRESS _____ City _____ STATE _____ ZIP _____
- PHONE NUMBER. _____ PAYMENT METHOD _____

IF YOU HAVE ANY QUESTIONS PLEASE CALL 1-800-633-5559